

VVX 300/310



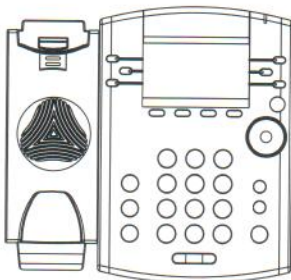
VVX 400/410



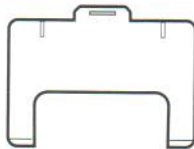
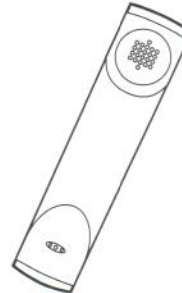
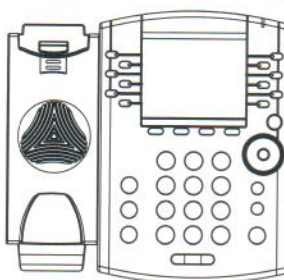
Note: For more information on your Polycom® VVX® 300, VVX 310, VVX 400, or VVX 410 Business Media Phone, including Quick User Guides and User Guides, navigate to your phone's Support page from Polycom Voice Support:
http://support.polycom.com/PolycomService/support/us/support/voice/business_media_phones/

Package Contents

VVX 300/310 Phone



VVX 400/410 Phone



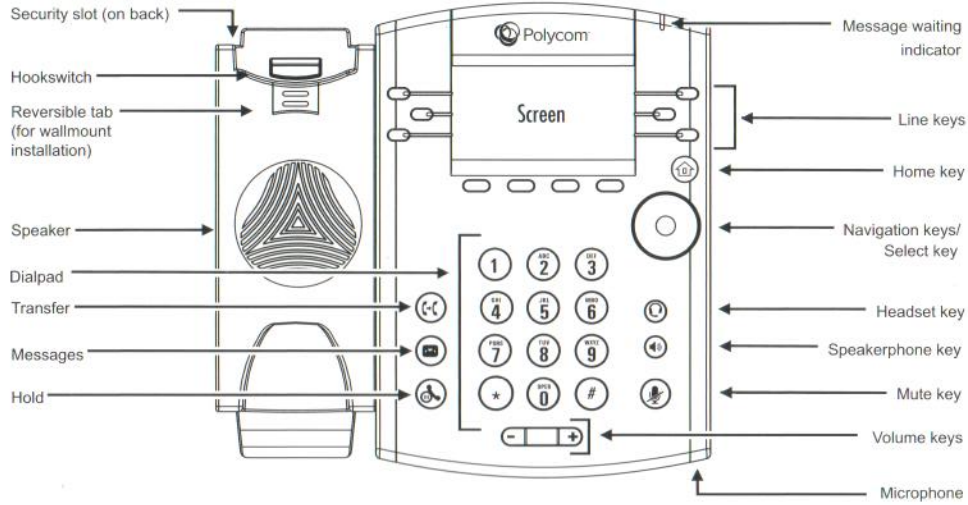
Optional Accessories

For more information, contact your reseller.



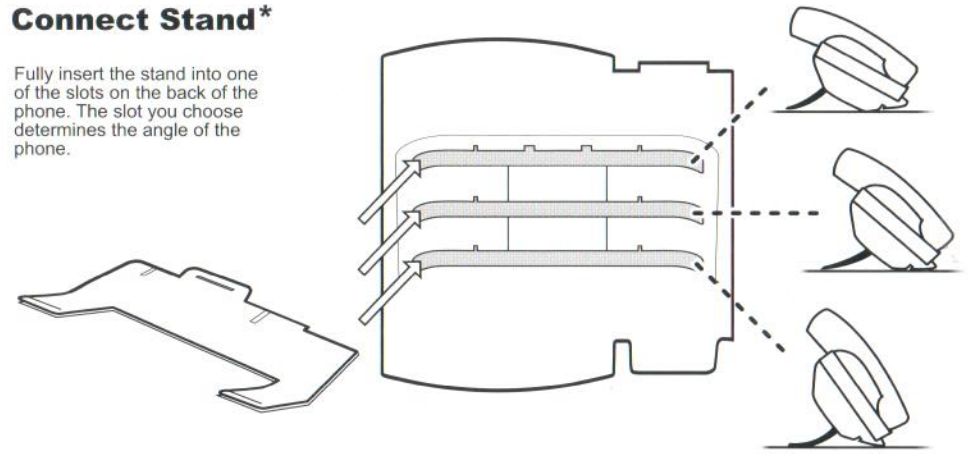
AC power adapter (varies by region)

Features



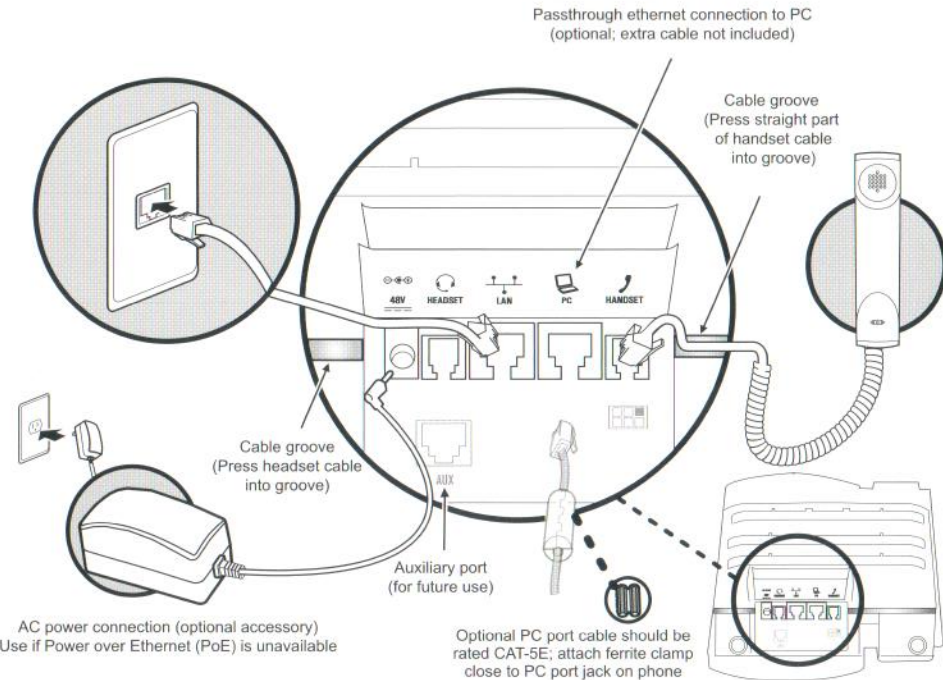
Connect Stand*

Fully insert the stand into one of the slots on the back of the phone. The slot you choose determines the angle of the phone.



*For wallmount installation, an optional accessory is available. For more information, contact your reseller.

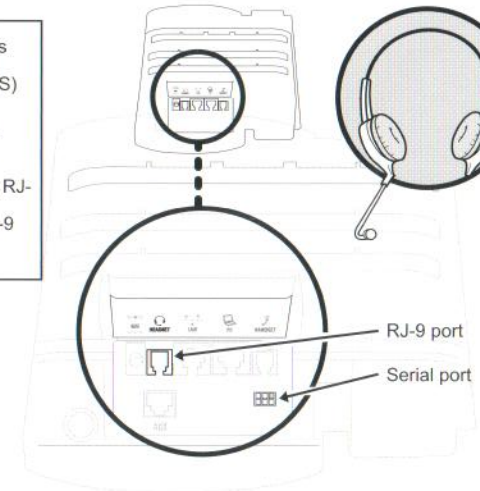
Connect Cables



Connect Optional Headset

Note: Your phone supports wired headsets, including electronic hookswitch (EHS) headsets.

For connection directions, refer to your headset documentation. Standard headsets typically use the RJ-9, while EHS headsets use the RJ-9 and serial port.



Copyright, Safety Notices

LIMITED WARRANTY. Polycom warrants to the end user ("Customer") that this product will be free from defects in workmanship and materials, under normal use and service, for one year from the date of purchase from Polycom or its authorized reseller. Polycom's sole obligation under this express warranty shall be, at Polycom's option and expense, to repair the defective product or part, deliver to Customer an equivalent product or part to replace the defective item, or if neither of the two foregoing options are reasonably available, Polycom may, on its sole discretion, refund to Customer the purchase price paid for the defective product. All products that are replaced will become the property of Polycom. Replacement products or parts may be new or reconditioned. Polycom warrants any replaced or repaired product or part for ninety (90) days from shipment, or the remainder of the initial warranty period, whichever is longer. Products returned to Polycom must be sent prepaid and packaged appropriately for safe shipment, and it is recommended that they be insured or sent by a method that provides for tracking of the package. Responsibility for loss or damage does not transfer to Polycom until the returned item is received by Polycom. The repaired or replaced item will be shipped to Customer, at Polycom's expense, not later than thirty (30) days after Polycom receives the defective product, and Polycom will retain risk of loss or damage until the item is delivered to Customer.

- EXCLUSIONS.** Polycom will not be liable under this limited warranty if its testing and examination disclose that the alleged defect or malfunction in the product does not exist or results from:
- Failure to follow Polycom's installation, operation, or maintenance instructions.
 - Unauthorized product modification or alteration.
 - Unauthorized use of common carrier communication services accessed through the product.
 - Abuse, misuse, negligent acts or omissions of Customer and persons under Customer's control; or
 - Acts of third parties, acts of God, accident, fire, lightning, power surges or outages, or other hazards.

WARRANTY EXCLUSIVE. IF A POLYCOM PRODUCT DOES NOT OPERATE AS WARRANTED ABOVE, CUSTOMER'S SOLE REMEDY FOR BREACH OF THAT WARRANTY SHALL BE REPAIR, REPLACEMENT, OR REFUND OF THE PURCHASE PRICE PAID, AT POLYCOM'S OPTION. TO THE FULL EXTENT ALLOWED BY LAW, THE FOREGOING WARRANTIES AND REMEDIES ARE EXCLUSIVE AND ARE IN LIEU OF ALL OTHER WARRANTIES, TERMS, OR CONDITIONS, EXPRESS OR IMPLIED, EITHER IN FACT OR BY OPERATION OF LAW, STATUTORY OR OTHERWISE, INCLUDING WARRANTIES, TERMS, OR CONDITIONS OF MERCHANTABILITY, FITNESS FOR A PARTICULAR PURPOSE, SATISFACTORY QUALITY, CORRESPONDENCE WITH DESCRIPTION, AND NON-INFRINGEMENT, ALL OF WHICH ARE EXPRESSLY DISCLAIMED. POLYCOM NEITHER ASSUMES NOR AUTHORIZES ANY OTHER PERSON TO ASSUME FOR IT ANY OTHER LIABILITY IN CONNECTION WITH THE SALE, INSTALLATION, MAINTENANCE OR USE OF ITS PRODUCTS.

SERVICE AGREEMENTS. Please contact your Polycom Authorized Reseller for information about service agreements applicable to your product.

SOFTWARE SUPPORT. Polycom will provide support for software running on the Product if all of the following conditions are satisfied:

- The product is under warranty or is covered by a Polycom service contract.
 - The product software is the current major version or the next preceding major version (software revisions are labeled as "x.y.z," with the first two digits designating major versions).
 - The product software comes with 90-day software warranty, providing for software updates (minor releases/bug fixes). To continue to receive support, purchasing a maintenance contract is the most economical solution.
- Requests for software support should be made through the Polycom Reseller from whom the product was purchased.

LIMITATION OF LIABILITY. TO THE FULL EXTENT ALLOWED BY LAW, POLYCOM EXCLUDES FOR ITSELF AND ITS SUPPLIERS ANY LIABILITY, WHETHER BASED IN CONTRACT OR TORT (INCLUDING NEGLIGENCE), FOR INCIDENTAL, CONSEQUENTIAL, INDIRECT, SPECIAL, OR PUNITIVE DAMAGES OF ANY KIND, OR FOR LOSS OF REVENUE OR PROFITS, LOSS OF BUSINESS, LOSS OF INFORMATION OR DATA, OR OTHER FINANCIAL LOSS ARISING OUT OF OR IN CONNECTION WITH THE SALE, INSTALLATION, MAINTENANCE, USE, PERFORMANCE, FAILURE, OR INTERRUPTION OF ITS PRODUCTS, EVEN IF POLYCOM OR ITS AUTHORIZED RESELLER HAS BEEN ADVISED OF THE POSSIBILITY OF SUCH DAMAGES, AND LIMITS ITS LIABILITY TO REPAIR, REPLACEMENT, OR REFUND OF THE PURCHASE PRICE PAID, AT POLYCOM'S OPTION. THIS DISCLAIMER OF LIABILITY FOR DAMAGES WILL NOT BE AFFECTED IF ANY REMEDY PROVIDED HEREIN SHALL FAIL OF ITS ESSENTIAL PURPOSE.

DISCLAIMER. Some countries, states, or provinces do not allow the exclusion or limitation of implied warranties or the limitation of incidental or consequential damages for certain products supplied to consumers, or the limitation of liability for personal injury, so the above limitations and exclusions may be limited in their application to you. When the implied warranties are not allowed to be excluded in their entirety, they will be limited to the duration of the applicable written warranty. This warranty gives you specific legal rights which may vary depending on local law.

GOVERNING LAW. This Limited Warranty and Limitation of Liability shall be governed by the laws of the State of California, U.S.A., and by the laws of the United States, excluding their conflicts of laws principles. The United Nations Convention on Contracts for the International Sale of Goods is hereby excluded in its entirety from application to this Limited Warranty and Limitation of Liability. All rights reserved under International and Pan American Copyright Conventions. No part of the contents of this manual may be copied, reproduced, or transmitted in any form or by any means, or translated into another language or format, in whole or part, without written consent from Polycom, Inc. Do not remove (or allow anybody else to remove) any product identification, copyright or other notices. Polycom, the Polycom logo design, and Polycom VVX 300, 310, 400, and 410 are trademarks of Polycom, Inc. in the U.S. and various other countries.

COPYRIGHT. All rights reserved under International and Pan-American Copyright Conventions. No part of the contents of this manual may be copied, reproduced, or transmitted in any form or by any means, or translated into another language or format, in whole or part, without written consent of Polycom, Inc. Polycom and the logo design are registered trademarks and Polycom VVX 300, 310, 400 and 410 are trademarks of Polycom, Inc. in the United States, and various countries. Do not remove (or allow any third party to remove) any product identification, copyright or other notices.

CE Mark R & TTE Directive (EU Only)

Polycom (UK) Ltd tento prohlásuje, že tento Polycom VVX 300/310/400/410 je ve shodě se základními požadavky a dalšími příslušnými ustanoveními směrnice 1999/5/EC.

Underliggende Polycom (UK) Ltd erklærer herved, at følgende udstyr Polycom VVX 300/310/400/410 overholder de væsentlige krav og øvrige relevante krav i direktiv 1999/5/EF.

Hermiti eskliht Polycom (UK) Ltd, dass sich das Gerät Polycom VVX 300/310/400/410 in Übereinstimmung mit den grundlegenden Anforderungen und den übrigen einschlägigen Bestimmungen der Richtlinie 1999/5/EG befindet.

Käsitelmästä kinnitän Polycom (UK) Ltd senänsä Polycom VVX 300/310/400/410 onnistuneesti direktiivissä 1999/5/EU pöhinvaatuuksia ja nimitäät direktiivissä lännetäitelesse asetettuihin vaatimuksiin.

Herby, Polycom (UK) Ltd, declares that this VVX 300/310/400/410 is in compliance with the essential requirements and other relevant provisions of Directive 1999/5/EC.

Por medio de la presente Polycom (UK) Ltd declara que el Polycom VVX 300/310/400/410 cumple con los requisitos esenciales y cualesquiera otras disposiciones aplicables o exigibles de la Directiva 1999/5/CE.

ME THYI TAPOYTA Polycom (UK) Ltd senänsä että Polycom VVX 300/310/400/410 täyttää NMD-003:n vaatimukset ja on lisäksi täysin yhteensopiva direktiivissä 1999/5/EC.

Par la présente Polycom (UK) Ltd déclare que l'appareil Polycom VVX 300/310/400/410 est conforme aux exigences essentielles et aux autres dispositions pertinentes de la directive 1999/5/CE.

Con la presente Polycom (UK) Ltd dichiara che questo Polycom VVX 300/310/400/410 è conforme ai requisiti essenziali ed alle altre disposizioni pertinenti stabilite dalla direttiva 1999/5/CE.

Her med lyser Polycom (UK) Ltd yfir því að Polycom VVX 300/310/400/410 er í samræmi við grunnkröfur og aðrar kröfur, sem gerfir enu í líkjun 1999/5/EC.

Ar sa Polycom (UK) Ltd deklari, sa Polycom VVX 300/310/400/410 stibli Direktiwe 1999/5/EF bolokajim prasabam n olem an i sesabagam ristikuman.

SAFETY AND REGULATORY INFORMATION. This device complies with Part 15 of the FCC Rules. Operation is subject to the following two conditions:

(1) This device may not cause harmful interference, and (2) This device must accept any interference received, including interference that may cause undesired operation.

NOTE: This equipment has been tested and found to comply with the limits for a Class B digital device, pursuant to part 15 of the FCC Rules. These limits are designed to provide reasonable protection against harmful interference in a residential installation. This equipment generates, uses and can radiate radio frequency energy and, if not installed and used in accordance with the instructions, may cause harmful interference to radio communications. However, there is no guarantee that interference will not occur in a particular installation. If this equipment does cause harmful interference to radio or television reception, you can be determined by turning the equipment off and on, the user is encouraged to try to correct the interference by one or more of the following measures:

- Reorient or relocate the receiving antenna.
- Increase the separation between the equipment and receiver.
- Connect the equipment into an outlet on a circuit different from that to which the receiver is connected.
- Consult the dealer or an experienced radio/TV technician for help.

Herby, Polycom, Inc. declares that the products in this manual are CE marked and in compliance with all EU directives and regulations that apply to them including: R&TTE Directive 1999/5/EC. A full copy of the Declaration of Conformity can be obtained from Polycom Ltd., 270 Bath Road, Slough, Berkshire, SL1 4DX, UK.

In accordance with Part 15 of the FCC Rules, the user is cautioned that any changes or modifications not expressly approved by Polycom, Inc. could void the user's authority to operate the equipment.

Operating Ambient Conditions:

- Operating temperature: +32 to 104°F (0 to 40°C)
- Relative humidity: 5% to 95%, non-condensing
- Storage temperature: -40 to +160°F (-40 to +70°C)

Installation must be performed in accordance with all relevant national wiring rules. L'installation doit être exécutée conformément à tous les règlements nationaux applicables au filage électrique.

The outlet to which this apparatus is connected must be installed near the equipment and

Šuo Polycom (UK) Ltd deklariuoja, kad šis Polycom VVX 300/310/400/410 atitinka esminius reikalavimus ir kitas 1999/5/EB Direktivės nuostatas.

Heribj verklaart Polycom (UK) Ltd dat het toestel Polycom VVX 300/310/400/410 in overeenstemming is met de essentiële eisen en de andere relevante bepalingen van richtlijn 1999/5/EG.

Hämeenak, Polycom (UK) Ltd, jäsäkkäriä liään Polycom VVX 300/310/400/410 jäsäen-forma mai-häidjät esseejäl i ma pöövödmäntä ohjan relevantit vaatimukset direktiivissä 1999/5/EC.

Auslänst, Polycom (UK) Ltd hysäläkköim, hoq q Polycom VVX 300/310/400/410 megläti a voraköök aläpavö kövälmänyäknak sa az 1999/5/EC rähjälä egyé ebööräknak.

Polycom (UK) Ltd erklærer herved at udstyret Polycom VVX 300/310/400/410 er i samsvær med de grundlæggende krav og øvrige relevante krav i direktiv 1999/5/EF.

Ninäjälän Polycom (UK) Ltd ovelädeä, sa Polycom VVX 300/310/400/410 jäsä jgödw z zäsäedričnyj nymälänäm özä nymj säsöönymj pöästönämärämj Dytälänyy 1999/5/WE.

Polycom (UK) Ltd declara que este Polycom VVX 300/310/400/410 está conforme con os requisitos essenciais e outras disposições da Directiva 1999/5/CE.

Polycom (UK) Ltd igavlja, da je ta Polycom VVX 300/310/400/410 u skladu z bitenimj zahtevima in ostalimi relevantnimi določili direktive 1999/5/ES.

Polycom (UK) Ltd tymjo vyhlaše, že Polycom VVX 300/310/400/410 spĺňa základné požiadavky a všetky príslušné ustanovenia smernice 1999/5/EC.

Polycom (UK) Ltd valkuttuu täten että Polycom VVX 300/310/400/410 täyttää osan direktiivissä 1999/5/EF esitetään vaatimusten ja sitä koskevien direktiivin muiden ehtojen mukaisesti.

Hermed ittygar Polycom (UK) Ltd ett denna Polycom VVX 300/310/400/410 står i överensstämmelse med de väsentliga egenskapskrav och övriga relevanta bestämmelser som framgår av direktiv 1999/5/EG.

must always be readily accessible. La prise électrique à laquelle l'appareil est branché doit être installée près de l'équipement et doit toujours être facilement accessible.

This Class [B] digital apparatus complies with Canadian ICES-003. Cet appareil numérique de la classe [B] sera conforme à la norme NMB-003 du Canada.

To avoid electric shock, do not connect safety extra low voltage (SELV) circuits to teleconference station network (TNV) circuits. LAN ports contain SELV circuit, and WAN ports contain TNV circuits. Some LAN and WAN ports both use RJ-45 connectors. Use caution when connecting cables. This product is rated 48Vdc, 0.25A. When used with the optional external power supply (PSA15A-480P, or similar rated PSU), the power supply shall be a Listed power supply with a LPS output, rated 48V, min. 0.25A.

Hearing Aid Compatibility (HAC): This device is hearing aid compatible.

RoHS: All Polycom phones comply with the requirements of the EU RoHS Directive. Statements of compliance can be obtained from TypeApproval@polycom.com.

Australia: Warning—This equipment will be inoperable when mains power fails.

Japan:

この装置は、クラスB情報技術装置です。この装置は、家庭環境で使用することを目的としていますが、この装置がラジオやテレビジョン受信機に近接して使用されると、受信障害を引き起こすことがあります。取扱説明書に従って正しい取り扱いをして下さい。 VCCI-B

Contact Information:

Please contact your Polycom Authorized Reseller for assistance.



<http://www.polycom.com>

Polycom, Inc. 6001 America Center Drive, San Jose, CA 95164 USA

1725-46166-001 Rev A

